



SHSCHEMATICS AND PARTS LIST

Blazer 150H

TGA170K PARTS LIST

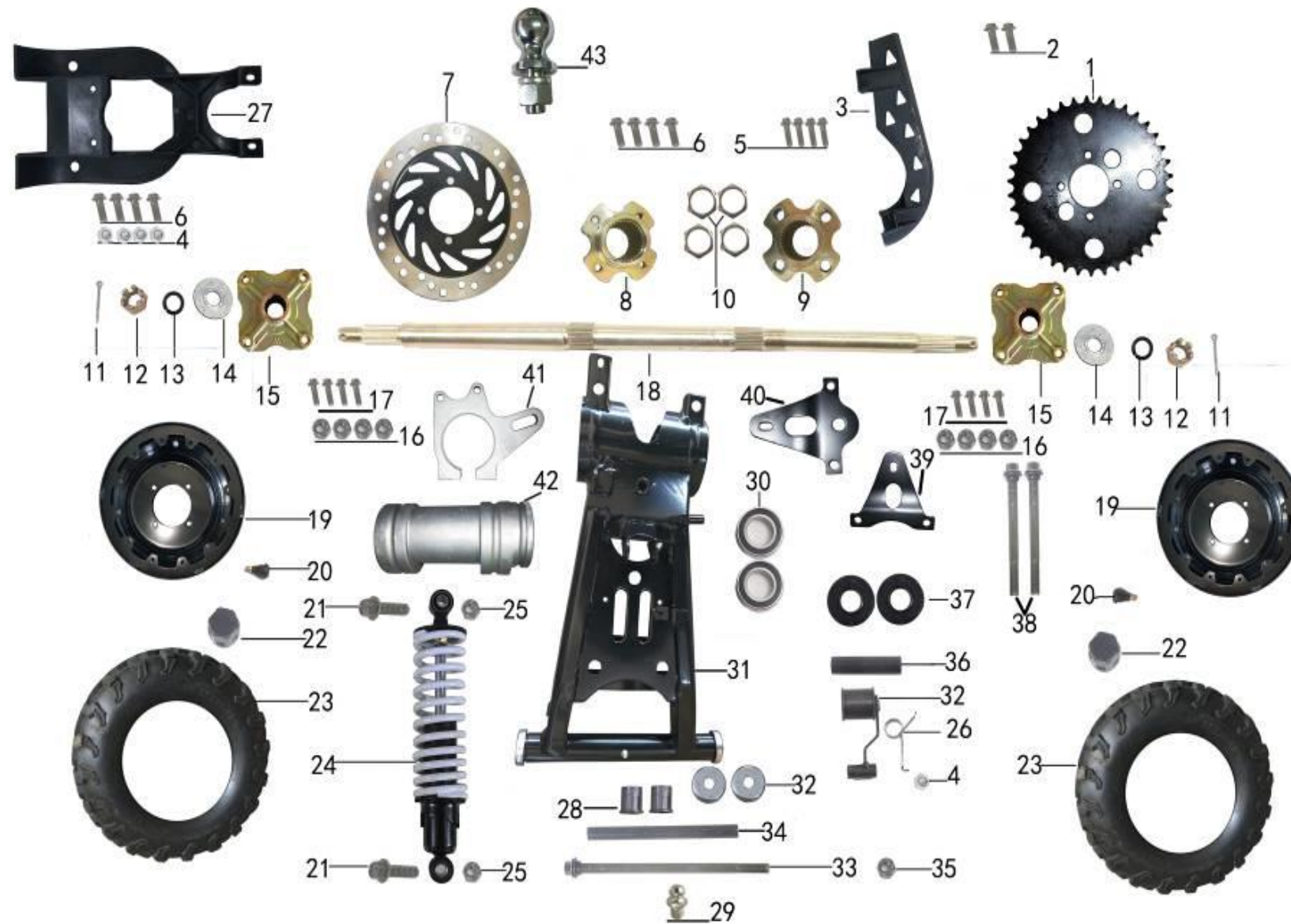


Plastic cover system

No.	English name	Specification	Qty	ERP No.	No.	English name	Specification	Qty	ERP No.
1	Front bumper		1	606849	27	Ply-yarn drill		2	120558
2	Electric cover		1	606854	28	Tapping screw	ST4.2×12	16	601797
3	Front light support		1	603889	29	Front cover pad	φ6	19	101701
4	Meter cover		1	606851	30	Flange screw	M6×35	2	105156
5	Fork cover		1	606857	31	Rubber cover		6	116322
6	Double foot rest(Option parts)		1	606848	32	Specer bush	φ8.5×φ12×1	6	116300
7	Small chain cover		1	606853	33	Flat gasket	φ6	19	105450
8	Rear carrier cover		1	606846	34	Hex scokey bolt	M6×16	102	110887
9	Seat cushion shock proof rubber		2	112957	35	Bolt	M6×16	2	104787
10	Front carrier cover		1	606845	36	Hex scokey bolt	M6×12	3	113217
11	Head light support		1	606855					
12	Front plastic body		1	606843					
13	Foot rest		1	606847					
14	Rear plastic body		1	606844					
15	Back rest(option parts)		1	606595					
16	Rims cover(option parts)\		4	606856					
17	Hand guard		1	112534					
18	Back rest base board		1	607177					
19	Back rest cover		1	606659					
20	Hold cover		1	606876					
21	Seat cushion		1	607114					
22	Flange bolt	M6×16	2	105136					
23	Hexagon socket screw	M6×16	2	600672					
24	Clamping piece	M4.2	6	105873					
25	Flange bolt	M6×25	6	105146					
26	Lock nut	M6	73	104921					

ZHEJIANG TAOTAO VEHICLES CO., LTD

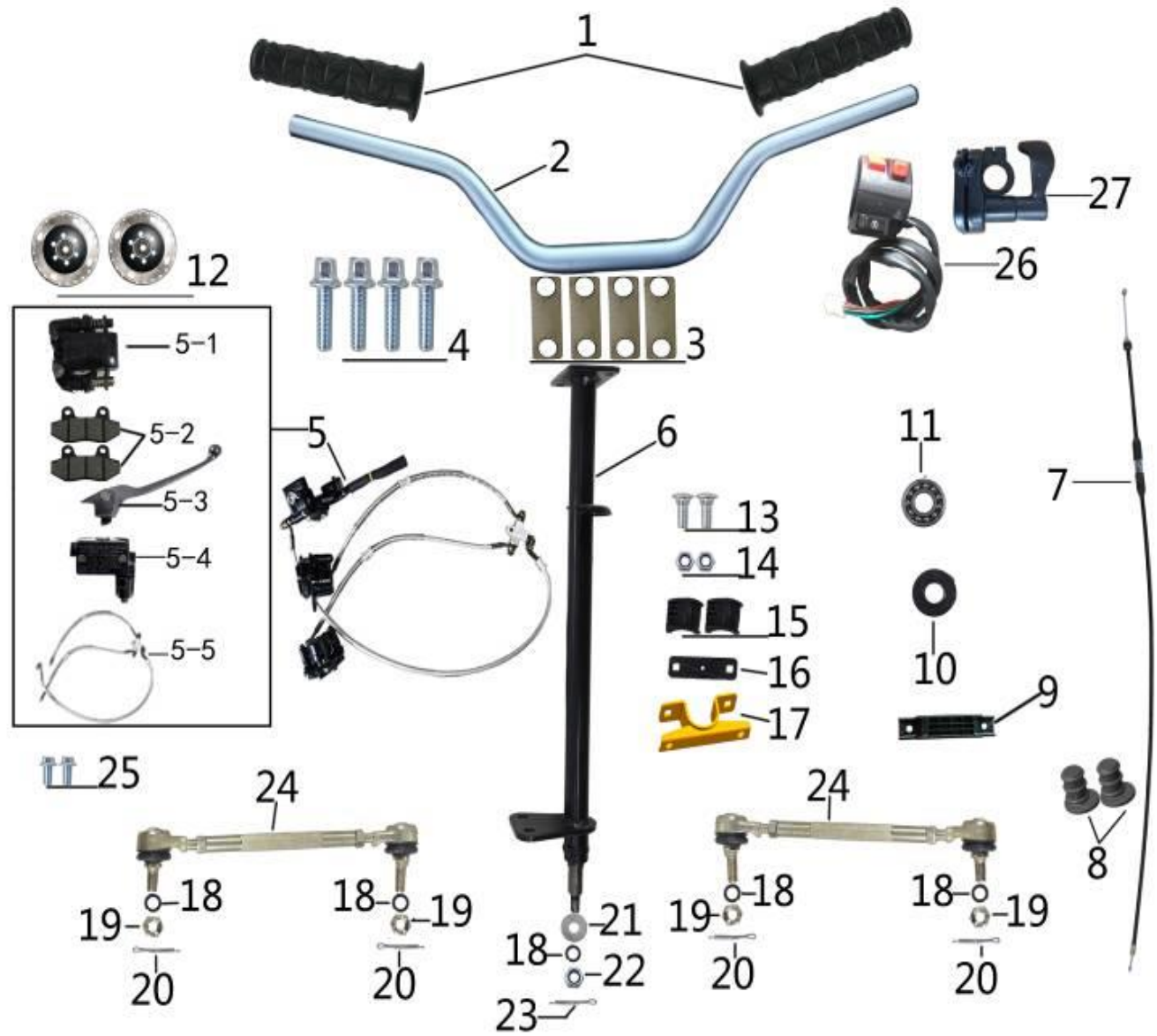
TGA170K PARTS LIST



Rear suspension system												
No.		English name	Specification	Qty	ERP No.		No.		English name	Specification	Qty	ERP No.
1		Rear chain wheel	530#38齿专用	1	607097		27		Rear axle hub protector		1	606852
2		Flange bolt	M6×16	2	105136		28		Swing arm bushing		2	112921
3		Big chain cover		1	606850		29		Grease fitting	通用	1	108287
4		Lock nut	M8×1.25	5	105277		30		Rear axle bearing	6007	2	102803
5		Flange bolt	M10×1.5×25	4	104985		31		Rear fork		1	606521
6		Flange bolt	M8×16	8	105194		32		Rear fork seal cap		2	112924
7		Rear disc brake	4孔φ190	1	606586		33		Flange bolt	M12×1.25×3	1	607103
8		Disc brake flange		1	606585		34		Swing arm bushing	φ18×φ12.5×	1	606592
9		Chian wheel flange	34齿	1	606588		35		Lock nut	M12×1.25	1	104908
10		Hex nut	M33×1.5镀彩锌	4	104860		36		Rear axle carrier spacer	φ42×φ36×1	1	120355
11		Cotter	φ3×40	2	105340		37		Oil seal	45×62×8	2	111362
12		Slotted nut	M20×1.5	2	105333		38		Flange bolt	M12×1.25×1	2	105039
13		Spring washer	M20	2	104876		39		Strengthen mount		1	604476
14		Gasket	φ20×φ48×4	2	600583		40		Towing hook piece		1	110316
15		Rear rims flange	专用24齿	2	606587		41		Fix support		1	605256
16		Lock nut	M10×1.25	8	105255		42		Rear axle carrier		1	108647
17		Flange bolt	M10×1.25×25	8	104981		43		Rear ball		1	102326
18		Rear shaft		1	606583							
19		Rear rims	铁	2	606661							
20		Cycle valve		2	100537							
21		Flange bolt	M10×1.25×50	2	105013							
22		Dust cover		2	108326							
23		Rear tire	22×10-10寸	2	607187							
24		Rear absorber	370mm弹簧φ10	1	606539							
25		Lock nut	M10×1.25	2	105255							
26		Tension wheel spring		1	104651							

ZHEJIANG TAOTAO VEHICLES CO., LTD

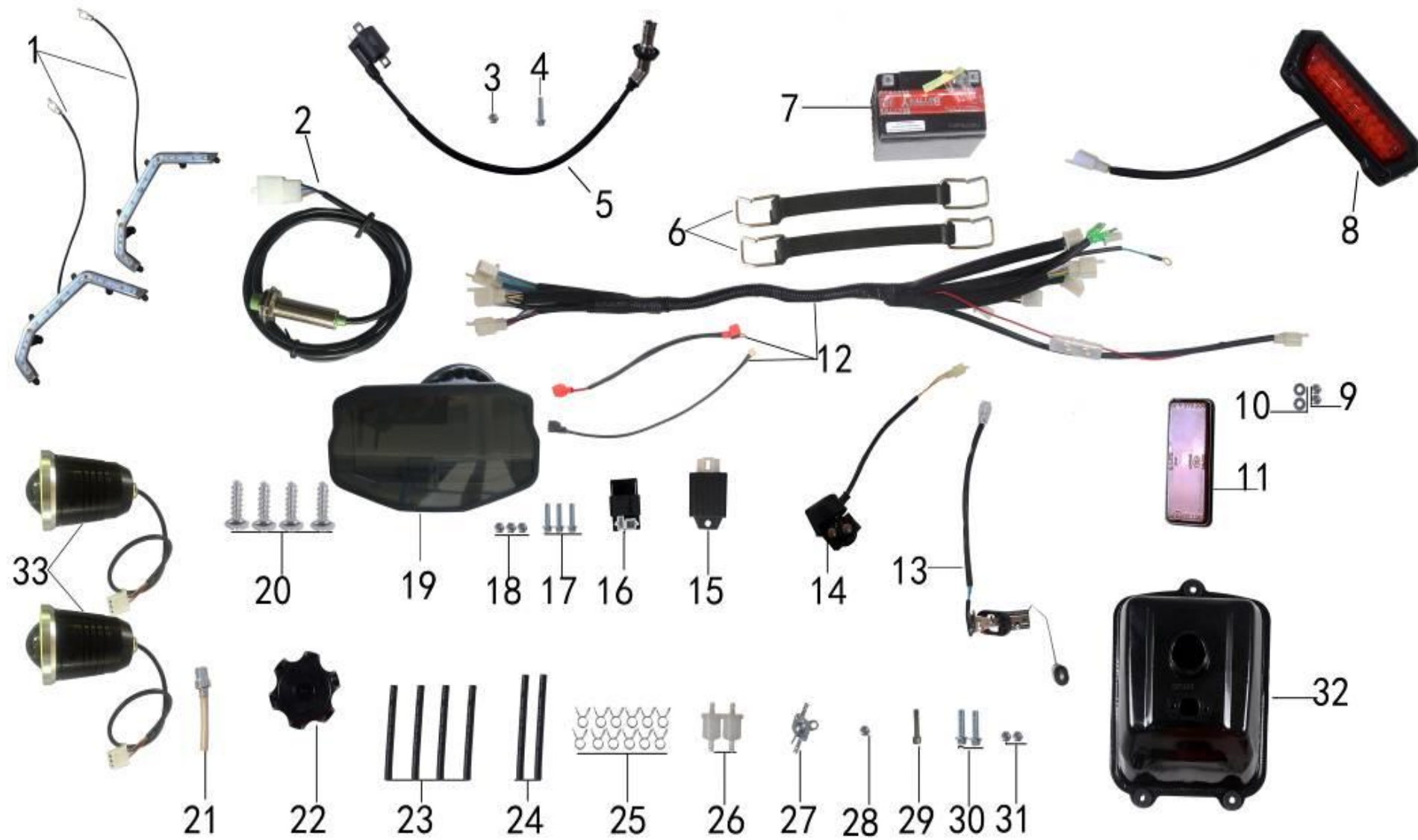
TGA170K PARTS LIST



Steering system												
No.		English name	Specification	Qty	ERP No.		No.		English name	Specification	Qty	ERP No.
1		Handgrip	专用	1	606858		22		Lock nut	M10×1.5	1	105256
2		Handgrip		1	606536		23		Cotter	φ3×25	1	109643
3		Handle bar clamp		1	606700		24		Pull rod	290mm	1	606537
4		Flange bolt	M8×55	4	105234		25		Flange bolt	M8×25	4	105212
5		Brake/Throttle control assemblies		1	607117		26		Function switch	通用小猛禽一件	1	116309
5-1		Front Disc brake down pump		2	605217		27		Throttle seat	同大公牛	1	101674
5-2		Front Disc brake pad		2	605216							
5-3		Front Disc brake handle		1	605214							
5-4		Front Disc brake up pump		1	605219							
5-5		Front Disc brake tube		1	607185							
6		Handle bar		1	606501							
7		Throttle cable		1	102528							
8		Steering dust cover		2	115426							
9		Wire button	通用	1	605519							
10		Steering shaft oil seal	17×35×7	1	111485							
11		Needle Roller Bearing	2202	1	111476							
12		Front brake disc	圆盘φ160mm	2	108166							
13		Carriage bolt	M8×20	2	105363							
14		Lock nut	M8	6	105276							
15		Steering shaft spacer		2	112478							
16		Steering crash plat		1	112537							
17		Steering fix seat		1	605451							
18		Spring pad	M10_发黑	5	104867							
19		Slotted Nut	M10×1.5	4	105321							
20		Cotter	φ2.5×30	4	105338							
21		Flat gasket	φ10×φ20×1.5	1	105393							

ZHEJIANG TAOTAO VEHICLES CO., LTD

TGA170K PARTS LIST

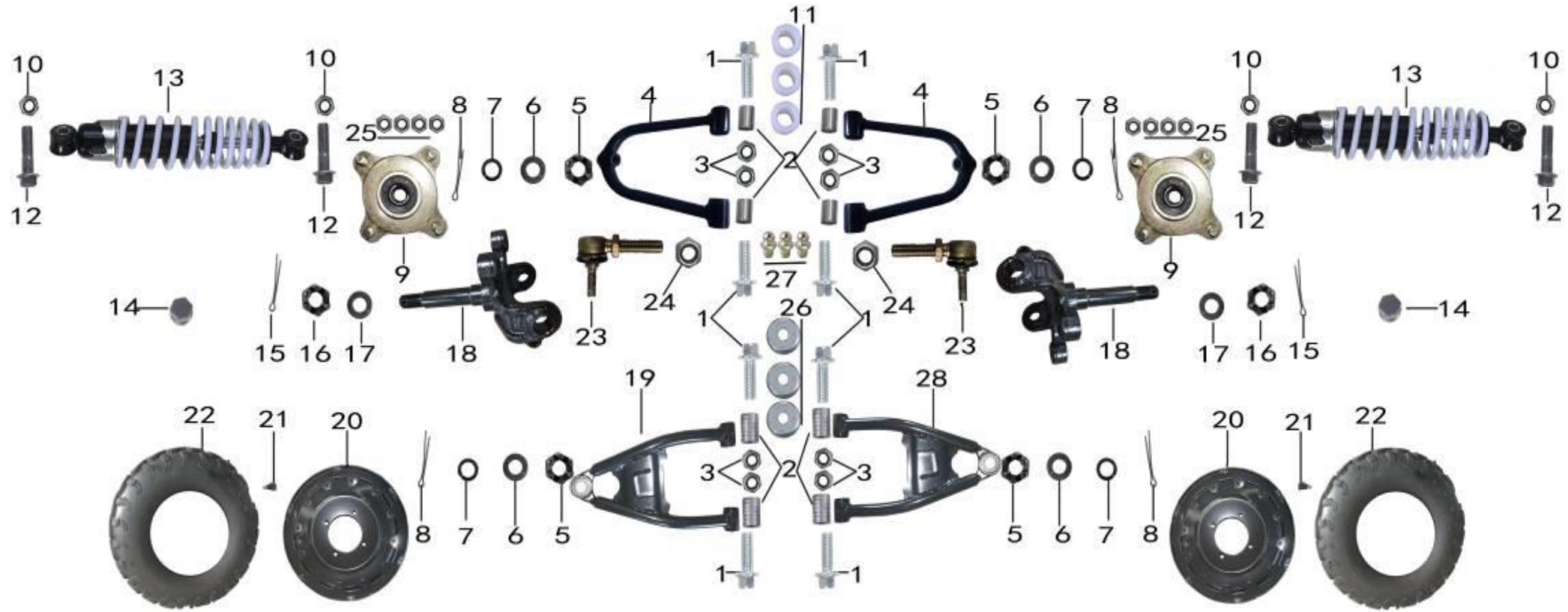


Electric parts and oil supply system

No.		English name	Specification	Qty	ERP No.		No.		English name	Specification	Qty	ERP No.	
1		Front LED driving light	专用	付	606590		27		Fuel Shut off Valve / Petcock	通用	1	102241	
2		Speed sensor	线长1.5米(辰阳黑色外套)	1	120354		28		Lock nut	M6	1	105272	
3		Lock nut	M6	1	105272		29		Hexagon socket scr	M6×16	1	105798	
4		Flange bolt	M6×20	1	105140		30		Flange bolt	M8×30	2	105218	
5		Spark plug coil		1	101010		31		Lock nut	M8	2	105276	
6		Battery bandage		2	117493		32		Fuel tank		1	102305	
7		Battery	12V9AH	1	100678		33		Front spot light		2	116310	
8		Rear light		1	112844								
9		Lock nut	M6	2	105272								
10		Flat gasket	φ6	2	105450								
11		Feflector	长方红	1	100907								
12		Main cable		1	606842								
13		Oil sensor		1	102659								
14		Relay	同大公牛	1	101384								
15		Rectifier	同大公牛	1	100731								
16		CDI	同大公牛	1	100668								
17		Flange bolt	M6×20	3	105140								
18		Lock nut	M6	3	105272								
19		Meter		1	606874								
20		Tapping screw	S3.8×12	10	111151								
21		Gas Cap Vent Tube		1	600566								
22		Fuel Tank Cap		1	101679								
23		Fuel line	100mm	2	100269								
24		Fuel line	220mm	1	605993								
25		Circlip	φ8通用	8	101456								
26		Fuel filter universal		2	600801								

ZHEJIANG TAOTAO VEHICLES CO., LTD

TGA170K PARTS LIST

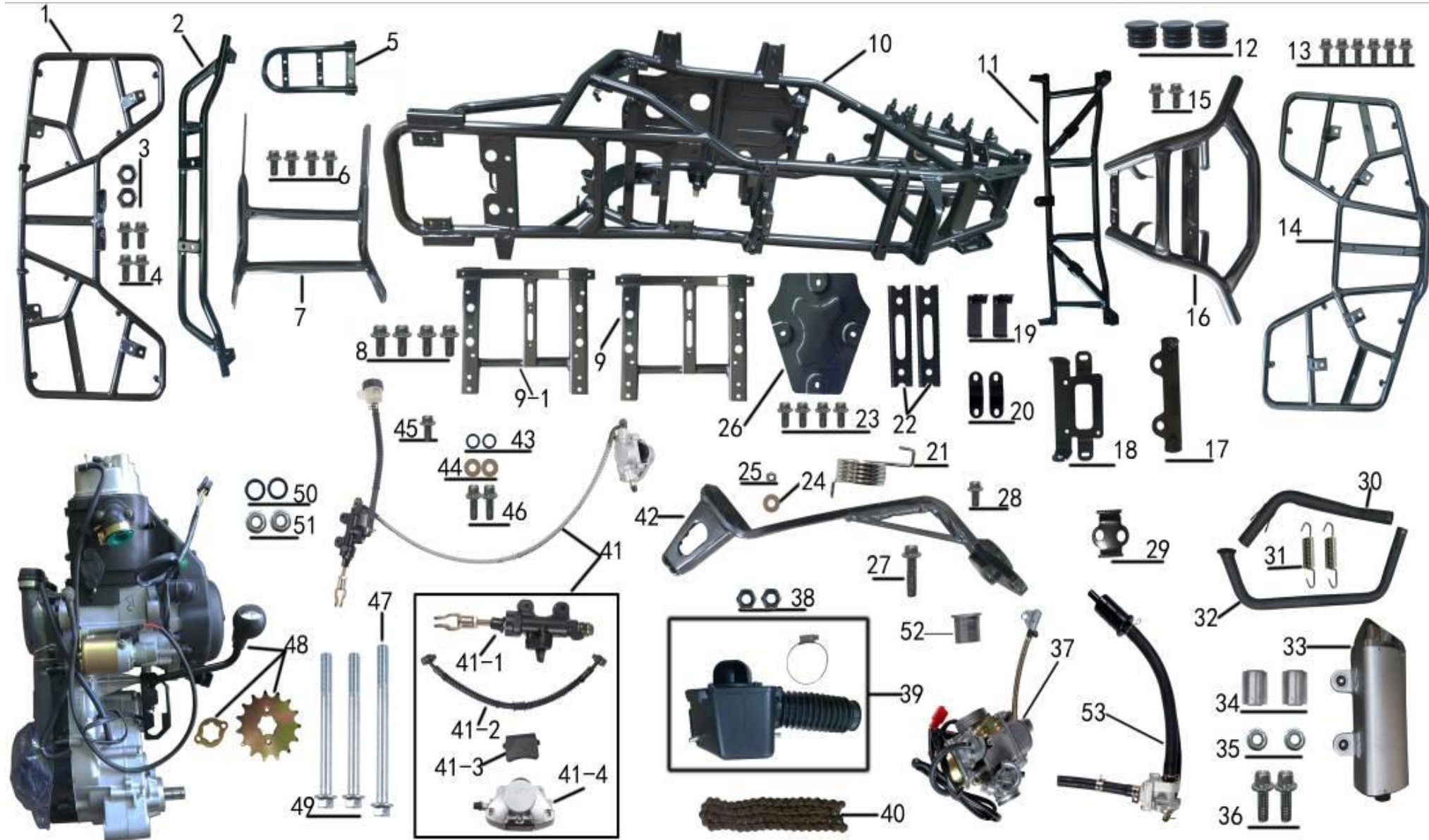


Front suspension system

No.	English name	Specification	Qty	ERP No.	No.	English name	Specification	Qty	ERP No.
1	Flange bolt	M10×1.25×70	8	105027	27	Grease fitting	M6×9	8	108287
2	A-arm Bushing	φ17.7×φ10×49	8	112931	28	Left down swing arm		1	606507
3	Lock nut	M10×1.25	8	105254					
4	Up A-arm		2	606505					
5	Slotted Nut	M10×1.25	8	105320					
6	Flat gasket	φ20×φ10×1.5	4	105393					
7	Spring flat	M10	4	104868					
8	Cotter	φ2.5×30	4	105338					
9	Rotator		1	102443					
10	Lock nut	M10×1.25	4	105253					
11	A-arm Bushing	φ30×φ25×φ18×20	16	112930					
12	Flange bolt	M10×40×1.25	4	105006					
13	Front absorber	375mm弹簧φ8	2	606538					
14	Dust cover	铁轮毂	2	108326					
15	Cotter	φ3×40	2	105340					
16	Slotted Nut	M14×1.5	2	105326					
17	Flat gasket	φ40×φ14.2×1.8	2	105414					
18	Knuckle		1	102890					
19	Right down swing arm		1	606879					
20	Front Steel rims	铁	2	606660					
21	Cycle valve		2	100537					
22	Front tire	23×7-10	2	607188					
23	Tir rod end		2	101488					
24	Lock nut	M14×1.5	2	105263					
25	Lock nut	M8×1.25	8	105277					
26	Swing arm seal cover	φ37×φ10	16	112934					

ZHEJIANG TAOTAO VEHICLES CO., LTD

TGA170K PARTS LIST



Frame and Engine system

No.	English name	Specification	Qty	ERP No.	No.	English name	Specification	Qty	ERP No.
1	Rack-rear		1	606511	29	Support		1	603845
2	Rear Carrier support		1	606527	30	Muffler rear part		1	606860
3	Lock nut	M8	2	105276	31	Muffler spring		2	606580
4	Flange bolt	M8×20	4	105204	32	Muffler front part		1	606579
5	Back rest seat		1	606658	33	Muffler assembly		1	606859
6	Flange bolt	M8×16	4	105194	34	Cushion collar	通用φ20×φ8	2	600753
7	Rear Carrier support		1	606529	35	Self lock nut	M8	2	105888
8	Flange bolt	M10×1.25×20	4	104963	36	Flange bolt	M8×30	2	105217
9	Left Foot rest support		2	606515	37	Caburetor	PD26,负压管	1	110728
9-1	Right Foot rest support		2	606517	38	Lock nut	M6	2	105272
10	Frame		1	606503	39	Air filter		1	606581
11	Support		1	606531	40	Chain	530#82节	1	101641
12	Rubber	φ16	6	102414	41	Read foot disc brake	油管长1150m	1	606584
13	Flange bolt	M8×25	6	105212	41-1	Up bump		1	108332
14	Front carrier		1	606509	41-2	Oil tube		1	607189
15	Flange bolt	M8×16	1	105194	41-3	brake pad		1	111719
16	Front bumper		1	606513	41-4	Down pump		1	112004
17	Meter soleplate		1	603847	42	Rear brake arm	专用(0.465KG)	1	606519
18	Mter support		1	606523	43	Spring pad	M8	2	105276
19	Handguard soleplate		2	109860	44	Flat plat	φ8×φ16×2	2	106931
20	Handguard support		2	109861	45	Flange bolt	M6×16	1	105136
21	Brake return spring		1	606817	46	Flange bolt	M8×25	2	105212
22	Skid resistance pedal		2	606525	47	Flange bolt	M10×1.25×1	1	115430
23	Flange bolt	M6×12	4	105131	48	Engine	GY6-160倒档 去	1	606578
24	Flat gasket	φ8×φ20×1.5	1	106932	49	Flange bolt	M10×1.25×1	2	607102
25	Bolt	M8	1	105514	50	Spring pad	M10	2	104868
26	Guard plate		1	606535	51	Self lock nut	M10×1.25	2	105875
27	Flange bolt	M8×40全螺纹8.8级	1	105227	52	Knuckle bushing		1	112933
28	Flange bolt	M8×16	1	105194	53	Gulp Valve		1	117236